

Data Sheet

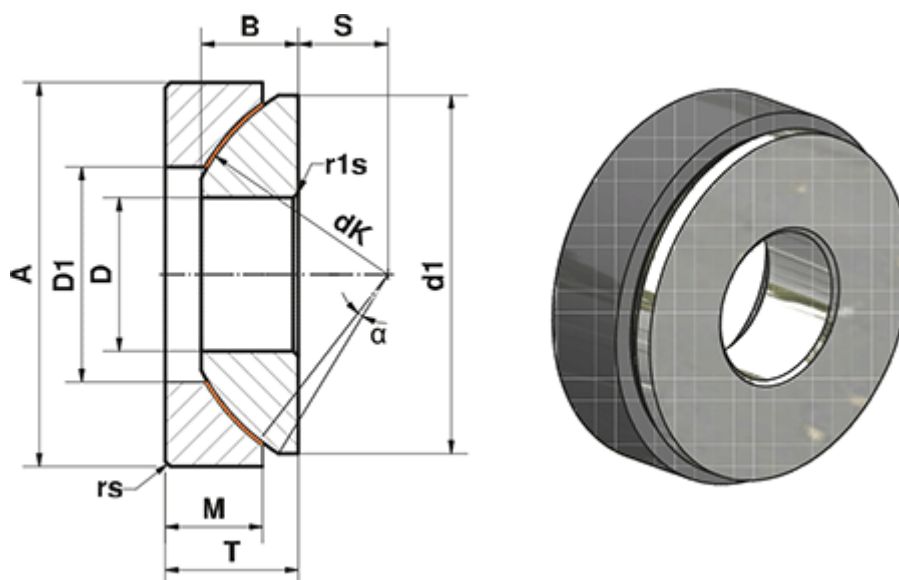


Article number: 03450140

Description: Fluro Heavy Duty Spherical Plain Bearing GE 140 AWE
Hole Ø140

Note: 140

Measures



A	= 260	M	= 54
a (degrees)	= 3	rs, r1s min	= 1.5
B	= 61	S	= 52.5
D	= 140	Static load C0 (kN)	= 9372
D1	= 177	T	= 72
d1 min	= 243	Weight (g)	= 19100
dK	= 274		
Dynamic load C (kN)	= 5623		